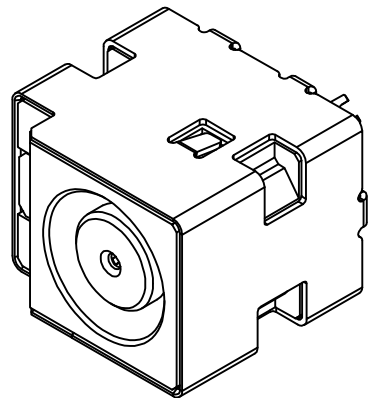


**ELECTRICAL CIRCUIT**

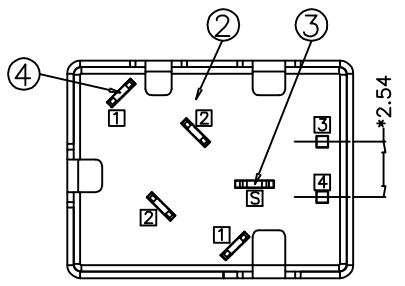
NODE		COLOR
PIN1(+)	PIN2(-)	WHITE
PIN1(-)	PIN2(+)	ORANGE



**NOTE:**

1. 電器性能:

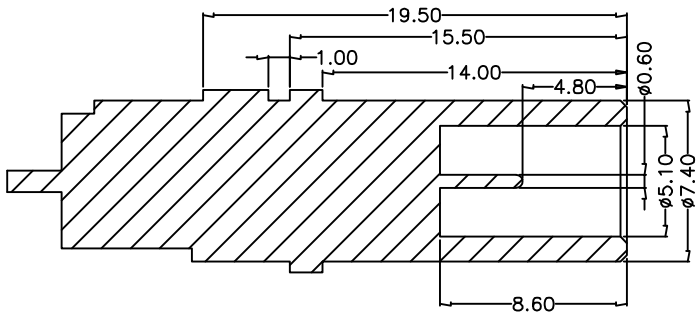
- 1.1 額定電流:每PIN最大7A
- 1.2 額定電壓:每PIN最大20V
- 1.3 接觸阻抗:20毫歐最大
- 1.4 絕緣阻抗:100兆歐最小
- 1.5 耐電壓:交流500V
- 1.6 插入力5.0Kg 最大  
拔出力0.3Kg 最小



**2. 材料:**

- 2.1 本體:NY46(無齒)+30%G/F.  
UL94V-0 RATED 黑色
- 2.2 端子:黃銅C2680H, T 0.30mm;  
磷銅C5191H, T 0.30mm
- 2.3 後蓋:NY46(無齒)+30%G/F.  
UL94V-0 RATED 黑色

6	LED	EPOXY	—	—
5	SHELL	SPCC	—	NICKEL PLATED
4	TERMINAL	C5191H	—	TIN PLATED
3	TERMINAL	C2680H	—	TIN PLATED
2	COVER	NY46(無齒)	BLACK	UL 94V-0
1	HOUSING	NY46(無齒)	BLACK	UL 94V-0
NO	DESCRIPTION	MATERIAL	COLOR	REMARK



**MATE PLUG(1:1)**

**GENERAL TOLERANCE**

- X.= ±.20
- .X= ±.15
- .XX= ±.10
- .XXX= ±.05
- ANG.= ±1°

**尚益科技有限公司**  
JMSCONN TECHNOLOGY CO., LTD.

PROJ	SCALE : F DO NOT SCALE DWG	MOLD NO <b>35370-T</b>
APP		MODEL
CHK		FILE NO
DGN		UNIT
DRW	<b>HSIEH</b>	2013.09.22
		MM
		SHT 1 OF 1
		SIZE A4
		REV. X1