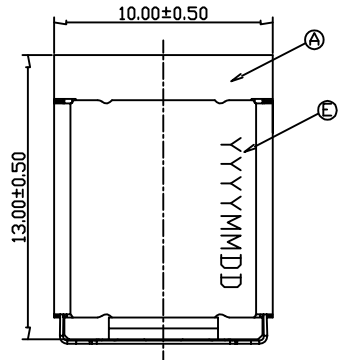
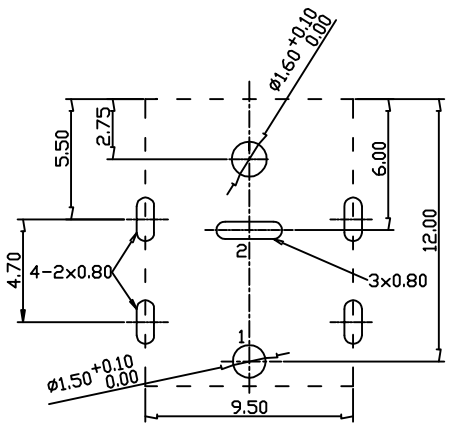


1 2 3 4 5 6 7

A



B

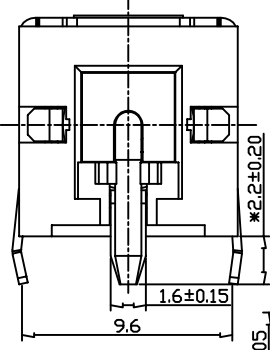
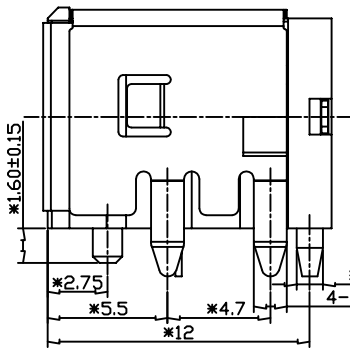
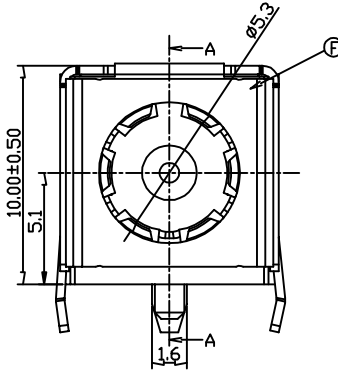


RECOMMENDED PCB LAYOUT
TOP VIEW(TOLERANCE:±0.05)

SPECIFICATIONS:
 1.INSERTION FORCE:3.0KG MAX.
 WITHDRAWAL FORCE:1.0KG~3.0KG
 2.INSULATION RESISTANCE BETWEEN ANY ADJACENT TERMINALS SHALL NOT BE LESS THAN 100 MEGOHMS BY 500 VOLTS MEGGER
 3.JACK SHALL WITHSTAND 250 VOLTS BETWEEN ANY ADJACENT TERMINAL FOR ONE MINUTE.
 4.CONTACT RESISTANCE SHALL NOT EXCEED 30mΩ
 5.JACK SHALL WITHSTAND 5000 CYCLES OF INSERTION AND WITHDRAWAL WITH TESTING PLUG,AND CONTACT RESISTANCE SHALL NOT EXCEED 30mΩ
 6.MEASURING CONDITION:
 TEMPERATURE:FROM 5°C TO 35°C
 RELATIVE HUMIDITY:FROM 40% TO 85%.
 7.ENVIRONMENTAL SPECIFICATIONS:
 7.1 HUMIDITY TEST:HUMIDITY 90% TO 95% TEMPERATURER 40°C±2°C FOR 96 HOURS
 7.2 HEAT TEST:TEMPERATURE 70°C ± 2°C(HUMIDITY BELOW50%) FOR 96 HOURS
 7.3 COLD TEST:TEMPERATURE -40°C ± 2°C FOR 96 HOURS.
 8.PACKAGING:TRAY
 9.PRINTED DATE CODE'YYYYMMDD'ON TOP OF CONNECTOR.
 *10.因下版尺寸變形過大,下版尺寸以下板碼止
 注意:帶*為重點管控尺寸.

A

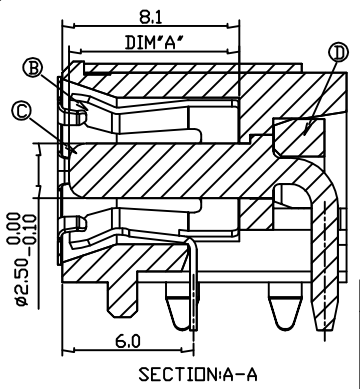
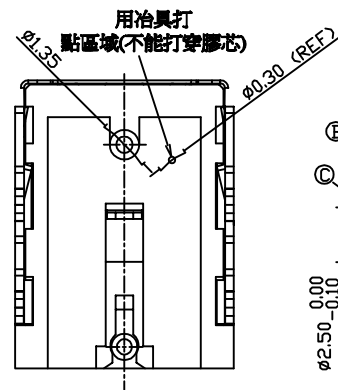
C



F	GROUND	1	STAILESS 0.15t	N/A
E	SHELL	1	SPCC-SD 0.40t	Sn:60u* Min On Contact Area Cu:60u* Min On Solder Ni:60u*
D	STOPPER	1	HIGH TEMP. THERMOPLASTIC UL 94V-0	BLACK
C	PIN	1	BRASS BAR	Ag:20u* Min On Contact Area Cu:60u* Min On Solder Ni:60u*
B	SPRING	1	COPPER ALLOY 0.30t	Sn:60u* Min On Contact Area Cu:60u* Min On Solder Ni:60u*
A	HOUSING	1	HIGH TEMP. THERMOPLASTIC UL 94V-0	BLACK
NO.	DESCRIPTION	QTY	MATERIAL	PLATING&COLOR

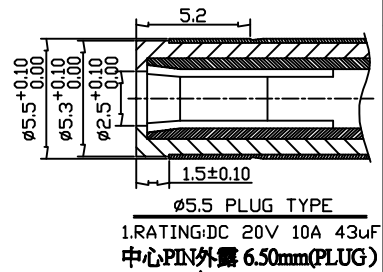
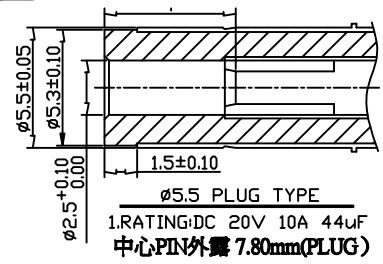
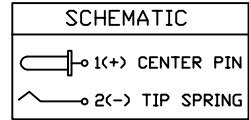
B

D



YYYYMMDD
 DD:DAY
 MM:MONTH
 YYYY:YEAR

DWG No.	DIM "A"
35360	7.80
35355	6.50



C

D

E

1 2 3 4 5 6 7

尚益科技有限公司
 JMSCONN TECHNOLOGY CO., LED.

PROJ	SCALE : F DO NOT SCALE DWG	MOLD NO	35360		
APP		MODEL	FILE NO	REV.	X1
CHK		UNIT	SHT 1 OF 1	SIZE	A4
DGN		MM			
DRW	HSIEH	2016.11.18			

E