

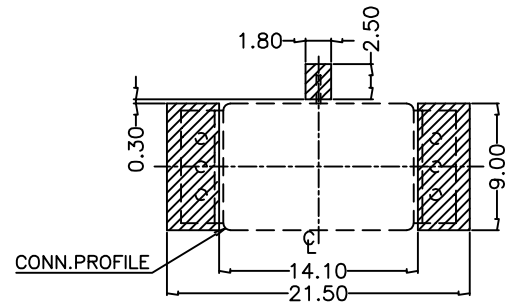
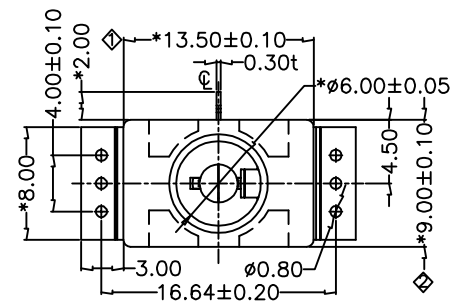
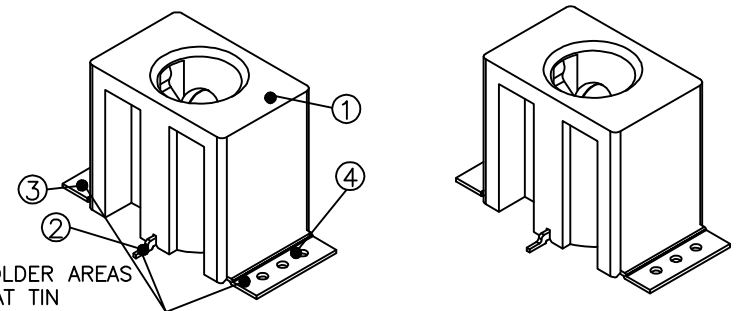
NOTES:

1.0 電氣性能

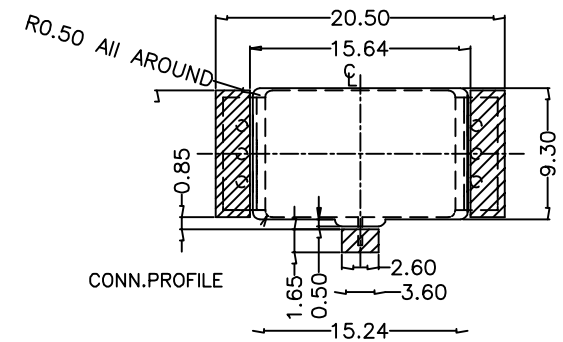
- 1.1 額定電流: 每PIN最大1.5A
- 1.2 額定電壓: 每PIN最大115V
- 1.3 接觸阻抗: 最大30毫歐
- 1.4 絕緣阻抗: 最大2000兆歐
- 1.5 耐電壓: 交流500V
- 1.6 端子夾持力: 0.5Kg/PIN
插入力: 0.5 Kg - 2.5Kg
拔出力: 0.5Kg - 3.5 Kg

2.0 材料:

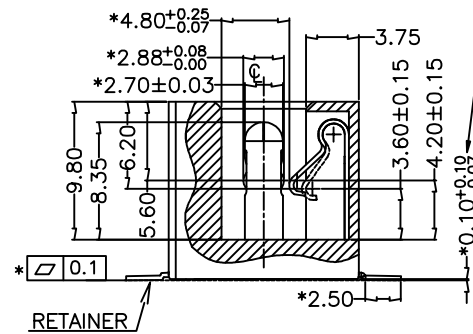
- 2.1 本體: LCP, UL 94V 0 RATED, 貝桔色, 無齒
- 2.2 端子: 磷青銅C5191H, T 0.30mm
- 3.0 尺寸符號 \diamond , 為品保 CPK統計項目.
- 4.0 尺寸符號 *, 為QC重點檢測項目.
- 5.0 未標示公差者以一般公差視之, 參閱圖框公差一覽表.
- 6.0 包裝規範同APJ+6S44 6



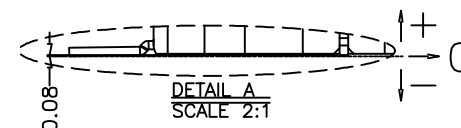
RECOMMENDED P.C.B LAYOUT (I)
(TILERANCE±0.05)



RECOMMENDED P.C.B LAYOUT (II)
(TILERANCE±0.05)



彈片端子腳和叉片
端子腳高出塑膠面



彈片端子腳和叉片
端腳低於中心圓針腳

NOTE: ALL DIMENSIONS TOLERANCE ARE:

- 1. PIN TOLERANCE: ±0.10mm
- 2. 0.25mm UNLESS OTHERWISE NOTED
- 3. DC- CONTACT NIKEL PLATED, SOLDER MAT TIN COVER NIKEL
- 4. DC+ CONTACT NIKEL PLATED, SOLDER MAT TIN COVER NIKEL
- 5. RETAINER SOLDER MAT TIN COVER NIKEL
- 6. COPLANARITY IS 0.05 FOR ALL SOLDERING PIN (AS DETAIL-A SHOWN)
- 7. \diamond CPK DIMENSION MEASURE POINT

DIMENSIONS TOLERANCE

- METRIC**
- 0= ±.38
 - .00= ±.25
 - .000= ±.XXX
 - .0000= ±
 - ANG.= ±1°

4	FORK	C2680H		100u" TIN OVER NICKEL
3	TERMINAL	C5191H		100u" TIN OVER NICKEL
2	TERMINAL	C5191H		100u" TIN OVER NICKEL
1	HOUSING	LCP	貝桔色	UL 94V-0
NO.	DESCRIPTION	MATERIAL	COLOR	REMARK

尚益科技有限公司
JMSCONN TECHNOLOGY CO., LTD.

PROJ	SCALE : F DO NOT SCALE DWG	MOLD NO 35358-T
APP		MODEL
CHK		FILE NO
DGN		REV. X1
DRW	HSIEH	UNIT MM
	2013.09.22	SHT 1 OF 1
		SIZE A4