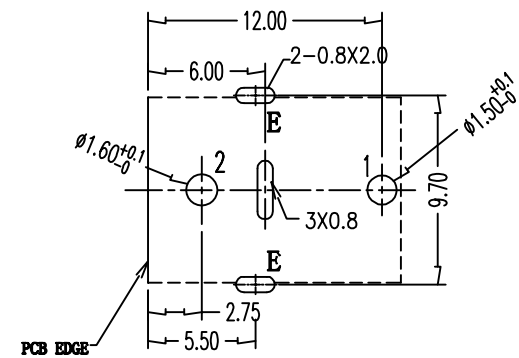
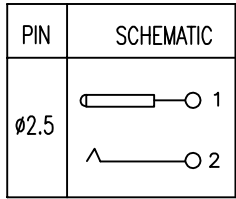
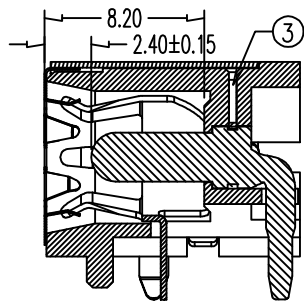
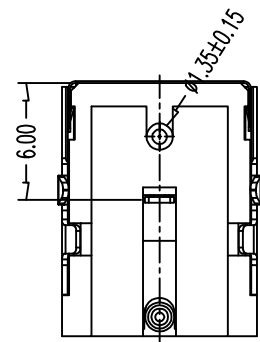
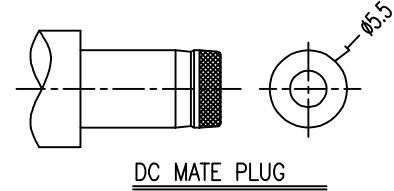
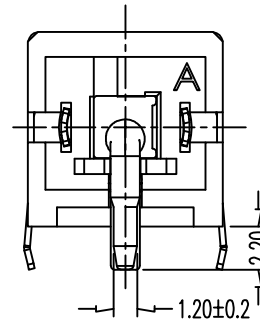
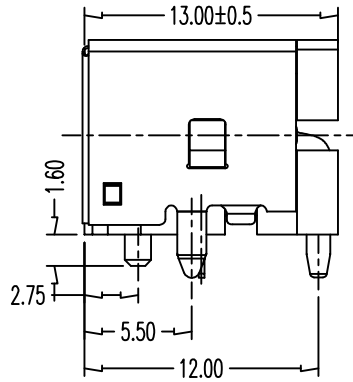
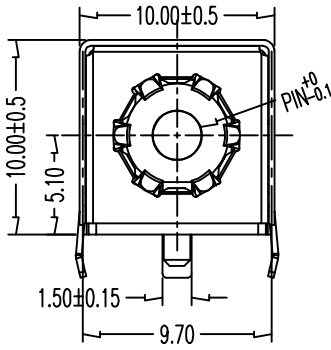


1 2 3 4 5 6 7

A
B
C
D
E

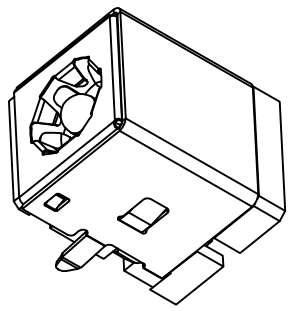
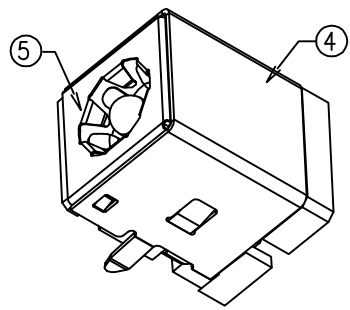
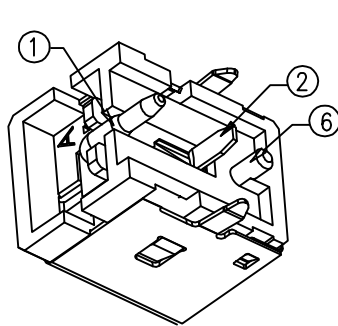
A
B
C
D
E



T:1.6 Dimensions of PC board holes
Tolerance : ±0.05(Printed-top view)

LEAD FREE

6	HOUSING	1	PA10T	UL-94V0(BLACK)
5	GROUND SHIELD	1	C5191 t=0.30	Ni(40u"min) PLATED
4	SHIELD PLATE	1	SUS301 t=0.10	
3	PEG	1	C2680 t=0.40	
2	TIP SPRING	1	C5191 t=0.30	MB:Ni(40u"min) Ag(10u"min) PLATED
1	CENTER PIN	1	ZINC ALLOY	Ni(40u"min) PLATED
LTR	PART NAME	QTY	MATERIAL	REMARK



UNLESS OTHERWISE SPECIFIED, TOLERANCE ON DECIMAL:

1 2 3 4 5 6 7

尚益科技有限公司
JMSCONN TECHNOLOGY CO., LTD.

PROJ		SCALE : F DO NOT SCALE DWG	MOLD NO 35321-T
APP		MODEL	FILE NO
CHK		UNIT	REV. X1
DGN		MM	SHT 1 OF 1
DRW	HSIEH	2016.11.21	SIZE A4