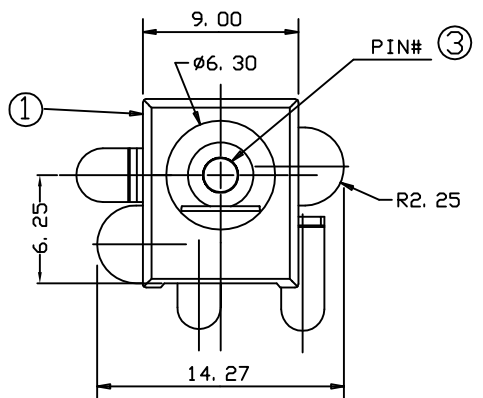
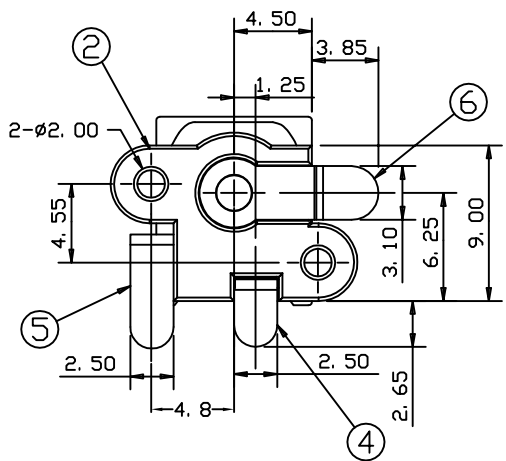
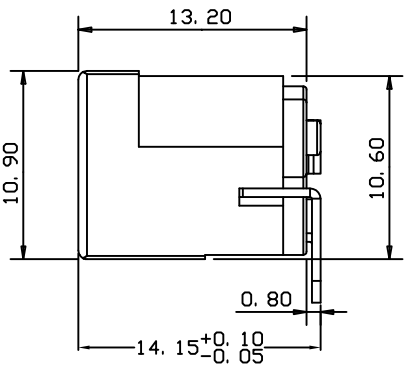
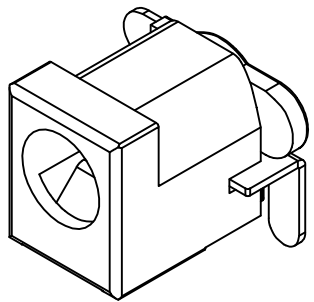
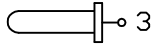
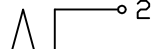



1 2 3 4 5 6 7

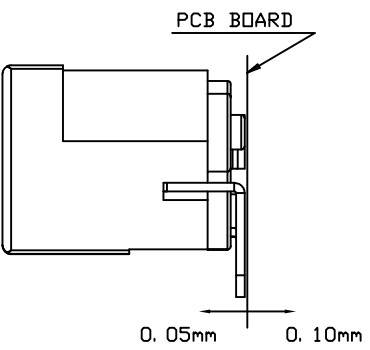
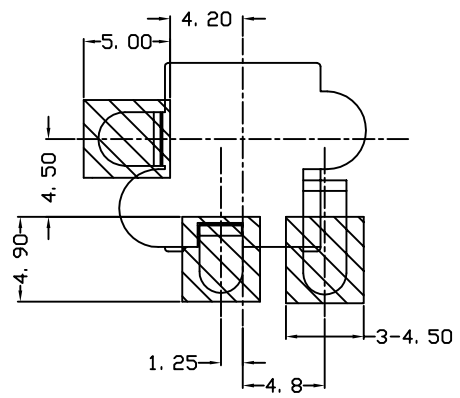
A
B
C
D
E

A
B
C
D
E



	PIN#	DIA.	TOLER.
	3		
	35253	2.00	+0.0 -0.1
	35303	2.50	+0.0 -0.1

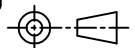
SCHEMATIC



Specifications:

1. Insulation Resistance: 100MΩhms min. (initial)
2. Contact Resistance (initial): 30mΩhm max at 100mA (max) 1KHz.
3. Dielectric Withstand Voltage: Ac 500V, 50 to 60Hz for 1 minute.
4. Endurance: 5,000 Cycles
10~20 cycles per minute.
5. Rated Voltage: 13.5 Volts DC.
6. Rated Current: 2.5 Amps DC.
7. Operating Temp: -25 to +85 deg. C.

尚益科技有限公司
JMSCONN TECHNOLOGY CO., LED.

PROJ		SCALE : F DO NOT SCALE DWG	MOLD NO	35303-07	
APP			MODEL	FILE NO	REV.
CHK	CCJ	90.10.02	2.0mm	DC JACK	X1
DGN	AMY	90.10.02	UNIT	SHT 1 OF 1	SIZE
DRW	SHIEH	90.10.02	MM		A4

1 2 3 4 5 6 7