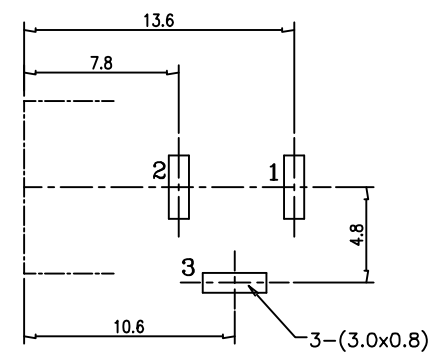
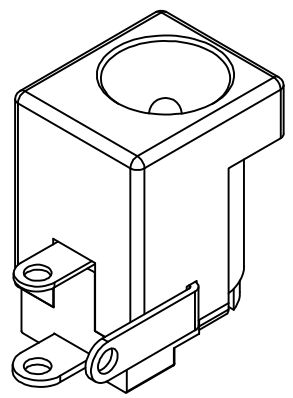
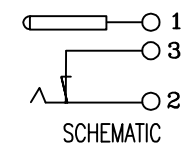
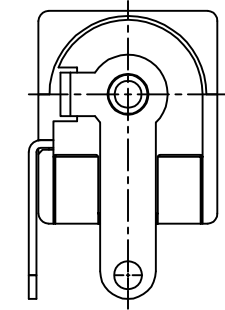
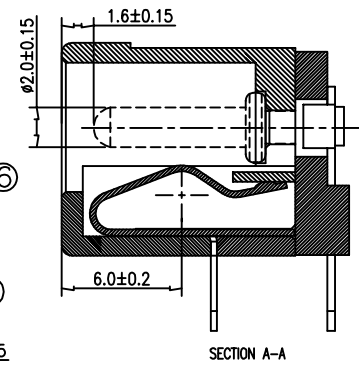
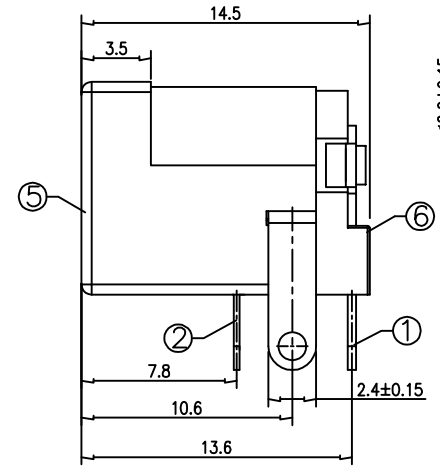
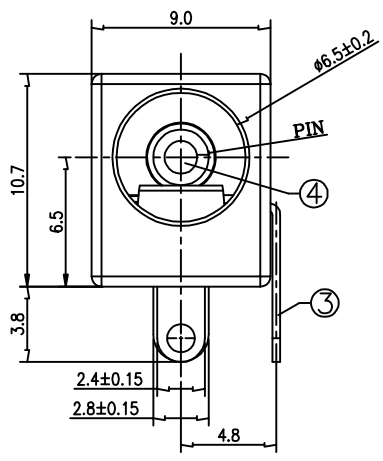


1 2 3 4 5 6 7

A
B
C
D
E

A
B
C
D
E



T:1.6 Dimensions of PC board holes
Tolerance : ±0.1(Printed-top view)

UNLESS OTHERWISE SPECIFIED, TOLERANCE ON DECIMAL: ±0.3

LEAD FREE

6	COVER	1	PBT 4815	UL-94V0(BLACK)
5	HOUSING	1	PBT 4815	UL-94V0(BLACK)
4	PIN	1	H59(COPPER ALLOY)	MB:Cu Ni PLATED
3	CURVE PIECE	1	C2680 t=0.4	MB:Cu Sn PLATED
2	SPRING	1	C5191 t=0.3	MB:Cu Sn PLATED
1	FLAT PIECE	1	C2680 t=0.4	MB:Cu Sn PLATED
LTR	PART NAME	QTY	MATERIAL	REMARK

尚益科技有限公司
JMSCONN TECHNOLOGY CO., LTD.

PROJ		SCALE : F DO NOT SCALE DWG	MOLD NO 35251-T
APP			MODEL 02
CHK			FILE NO
DGN			UNIT MM
DRW	HSIEH	2016.11.21	SHT 1 OF 1
			REV. X1
			SIZE A4

1 2 3 4 5 6 7