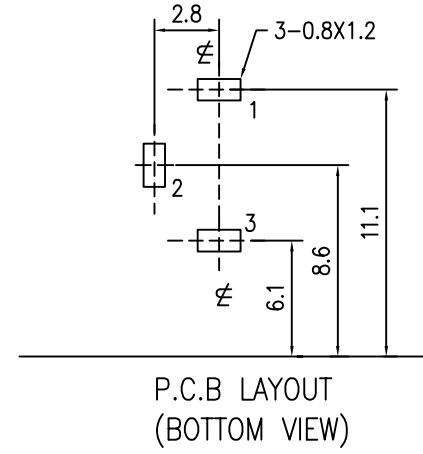
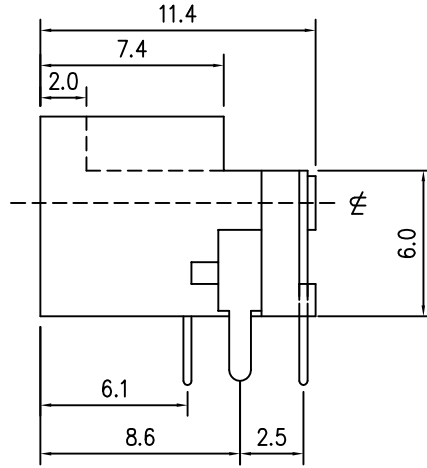
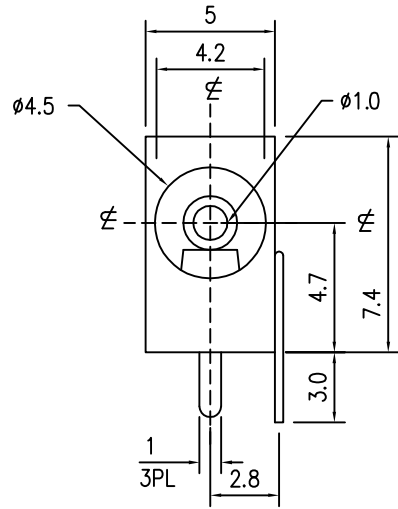


1 2 3 4 5 6 7

A



A

B

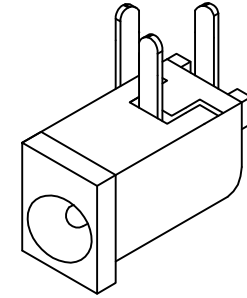
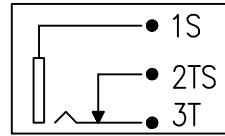
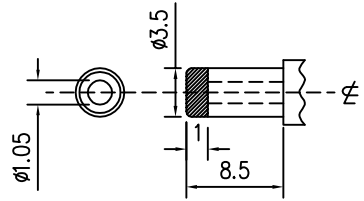
B

C

C

D

D



E

E

1 2 3 4 5 6 7

尚益科技有限公司  
JMSCONN TECHNOLOGY CO., LED.

PROJ		SCALE : F DO NOT SCALE DWG	MOLD NO 35100-02		
APP			MODEL 02	FILE NO 1.00mm	REV. X1
CHK	CCJ	90.08.14	UNIT MM	SHT 1 OF 1	SIZE A4
DGN	AMY	90.08.14			
DRW	SHIEH	90.08.14			