

1 2 3 4 5 6 7

A

B

C

D

E

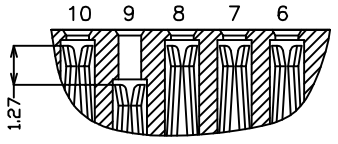
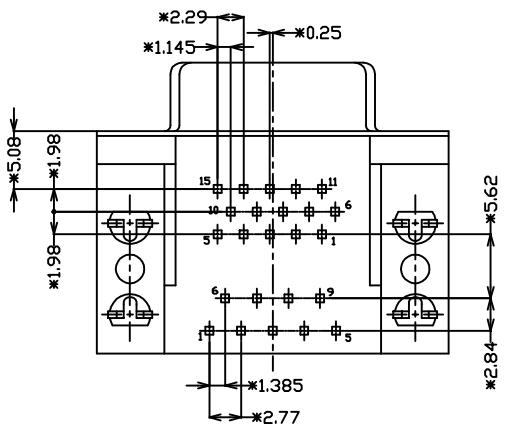
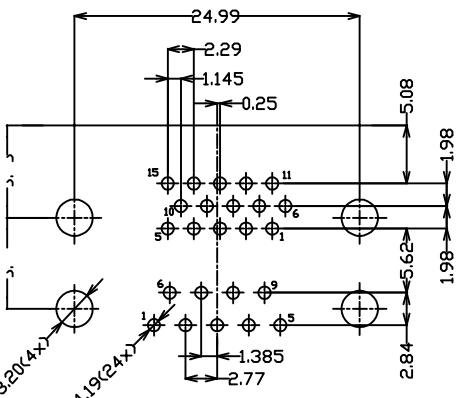
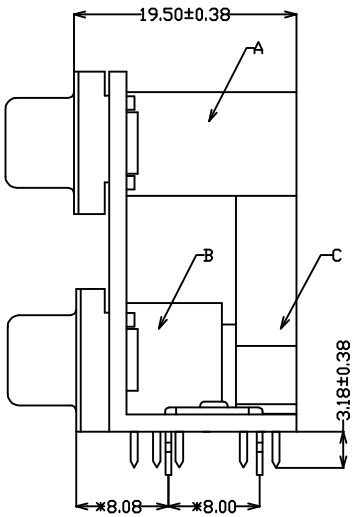
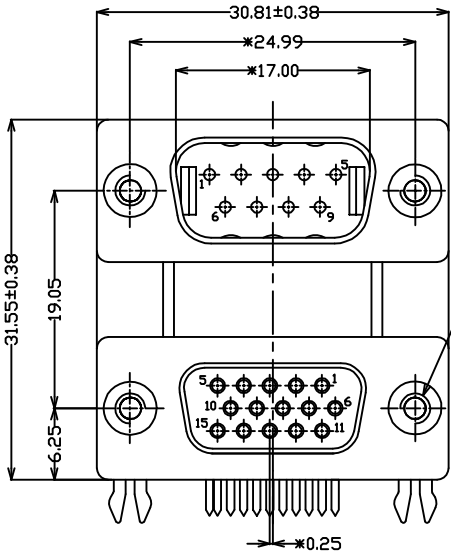
A

B

C

D

E



1. MATERIAL:  
 1.1 HOUSING: PBT+GF30%, UL94V-0, RECOMMEND P.C.B. LAYO -  
 1.2 CONTACT: COPPER ALLOY  
 1.3 SHELL: SPCC
2. FINISH:  
 2.1 SHELL: NICKEL PLATED 30u" Min.  
 2.2 CONTACT: GOLD PLATED IN CONTACT AREA  
 0.6u" Min, TIN PLATED IN SOLDER AREA  
 100u" Min. and 30u" Min NICKEL UNDER PLATED  
 ALL OVER.  
 2.3 BOARD LOCK: TIN PLATED 100u" Min.  
 2.4 SQUARE RIVET: NICKEL PLATED 30u" Min.  
 2.5 SHELL BRACKET: NICKEL PLATED 30u" Min.
3. ELECTRICAL CHARACTERISTICS:  
 3.1 RATED CURRENT: 3 AMP MAX  
 3.2 RATED VOLTAGE: 300V DC  
 3.3 INSULATION RESISTANCE: 1000M OHMS MIN. AT 500V  
 3.4 CONTACT RESISTANCE: 30m OHMS MAX.  
 3.5 DIELECTRIC WITHSTANDING VOLTAGE: 1000V AC FOR  
 ONE MINUTE  
 3.6 OPERATING TEMPERATURE: -55°C TO +105°C

\*\*顯示重量公差\*\*

PART NO	A 塑膠材質+顏色	B 塑膠材質+顏色	C 塑膠材質+顏色
20362-T-1255L	P.B.T+30%GF GREEN	P.B.T+30%GF BLUE	P.B.T+30%GF BLACK
20362-T-1205L	P.B.T+30%GF BLACK	P.B.T+30%GF BLUE	P.B.T+30%GF BLACK
20362-T-1255L2	P.B.T+30%GF GREEN	P.B.T+30%GF BLACK	P.B.T+30%GF BLACK
20362-T-1255L3	PBT全新料 GREEN	PBT全新料 BLUE	PBT全新料 BLACK
20362-T-1255L4	PBT全新料 GREEN	PBT全新料 BLACK	PBT全新料 BLACK
20362-T-1255L5	P.B.T+30%GF GREEN	P.B.T+30%GF BLACK	LCP料 BLACK
20362-T-1255L6	P.B.T+30%GF GREEN	P.B.T+30%GF BLACK	LCP料 BLACK

**尚益科技有限公司**  
 JMSCONN TECHNOLOGY CO., LTD.

PROJ	SCALE : F DO NOT SCALE DWG	MOLD NO	20362-T		
APP		MODEL	FILE NO	REV.	X1
CHK					
DGN		UNIT	SHT 1 OF 1	SIZE	A4
DRW	HSIEH	2016.11.24	MM		

1 2 3 4 5 6 7