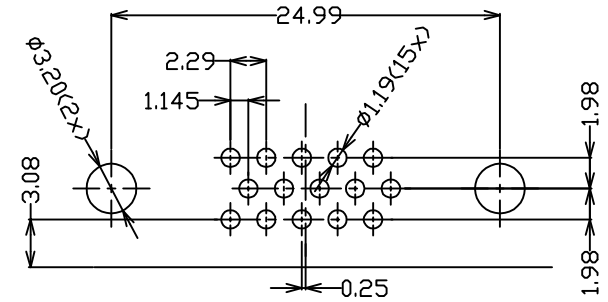
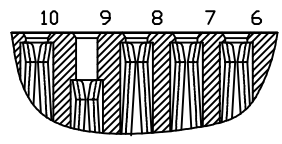
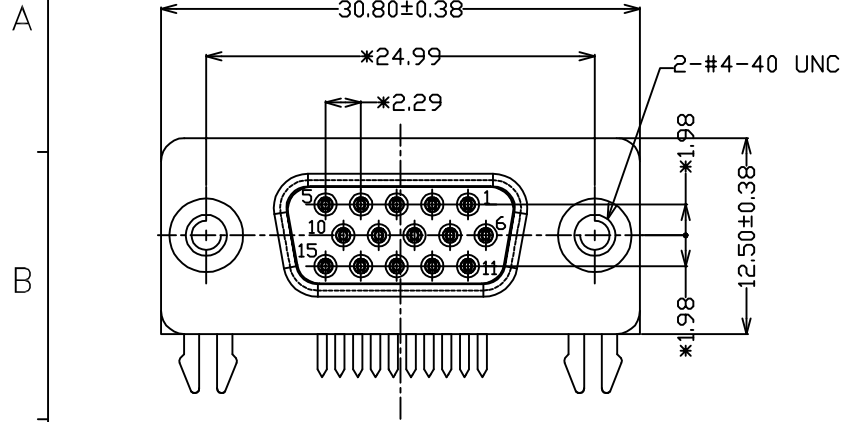
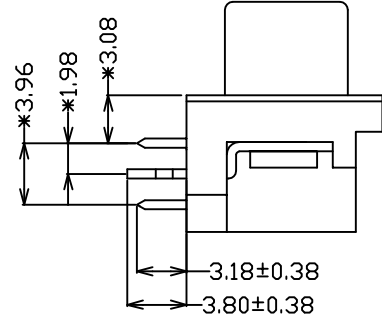
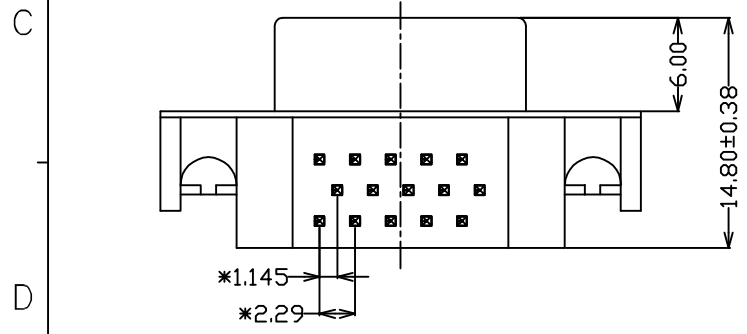


1 2 3 4 5 6 7



P.C.B. LAYOUT
TOP VIEW



DIMENSIONS TOLERANCE

METRIC

.0=±0.38
.00=±0.25
.000=±0.15
ANG.=±2°

NOTES:
 1.MATERIAL:
 1.1 Insulator: PBT+30%Glass Fiber (UL94V-0)
 1.2 Contact: Brass
 1.3 Contact Plated: Gold Flash/Tin Plated
 1.4 Shell: Steel, Nickle Plated

2.SPECIFICATION:
 2.1 Current Rate: 3 Amps
 2.2 Insulator Resistance: 1000MΩ Min. At 500V DC
 2.3 Dielectric Strength: 500V Per minute
 2.4 Operation Temperature: -40°C to+85°C

“*” 標示是重點管控尺寸

Series No.	PLATED	Insulator Color	MATERIAL
20348-T1-618	GOLD/TIN PLATED	Blue	PBT

尚益科技有限公司 JMSCONN TECHNOLOGY CO., LTD.				
PROJ	SCALE : F DO NOT SCALE DWG	MOLD NO		
APP		20348-T1		
CHK		MODEL	FILE NO	REV. X1
DGN		UNIT	SHT 1 OF 1	SIZE A4
DRW	HSIEH	2013.09.22	MM	

1 2 3 4 5 6 7