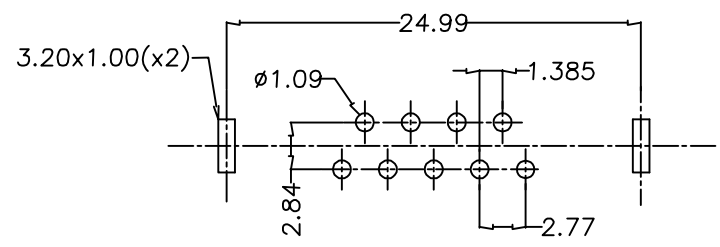
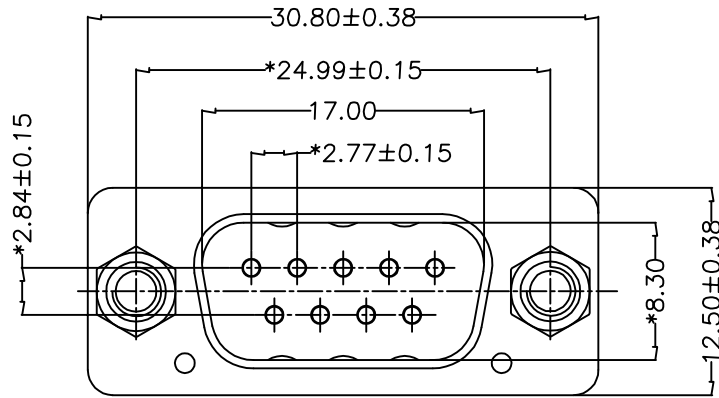
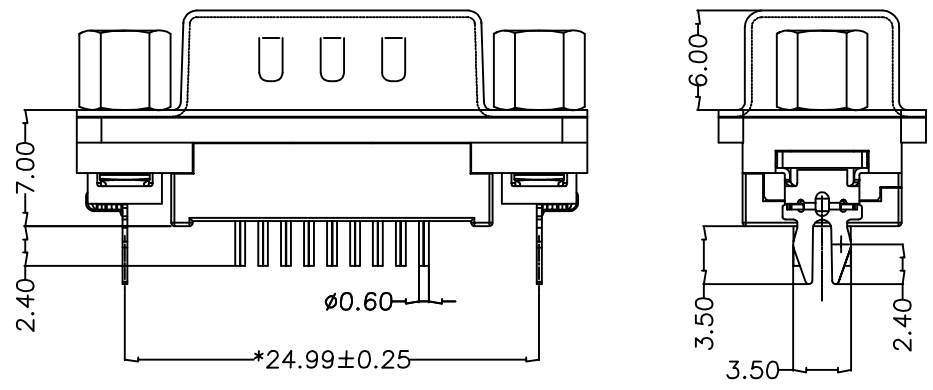


1 2 3 4 5 6 7

A
B
C
D
E



P.C.B LAYOUT
BOTTOM VIEW(pcb:Tolerance±0.05)



NOTES:
SHELL:SPCC,T=0.40mm,NICKEL PLATED,
HOUSING: PBT 30%G.F, UL94V-0,COLOR:BLACK
COVE: NYLON9T 30%G.F, UL94V-0,COLOR:BLACK
CONTACT MATERIAL:BRASS ,PLATING:GOLD/TIN FINISHED
HARPOON:BRASS ,PLATING:TIN FINISHED
▲ JACK SCREWS:BRASS/IRON MATERIAL,NICKEL FINISHED
WITH #4-40 THREADED ATTACHED

ELECTRICAL CHARACTERISTICS
CONTACT CURRENT RATING: 5.0 AMPS
CONTACT RESISTANCE: 30m OHMS MAX
DIELECTRIC WITHSTANDING VOLTAGE: 500V AC PER MIN
INSULATION RESISTANCE: 1000M OHMS MIN
TEMPERATURE RATING: -55°C~+105°C

DIMENSIONS TOLERANCE
METRIC
.0= ± .38
.00= ± .25
.000= ± .XXX
.0000= ±
ANG.= ± 2'

***標示是重點管控尺寸

成品料號	螺絲料號	螺絲材質	鐵殼螺絲要求
20347-T2-201011	20347-T2 *1000N	BRASS	48H ▲
▲ 20347-T2-201017	20347-T2 *1000N3	IRON	8H

尚益科技有限公司 JMSCONN TECHNOLOGY CO., LTD.					
PROJ		SCALE : F DO NOT SCALE DWG	MOLD NO	20347-T2	
APP			MODEL	FILE NO	REV. X1
CHK					
DGN			UNIT	SHT 1 OF 1	SIZE A4
DRW	HSIEH	2013.09.22	MM		

1 2 3 4 5 6 7