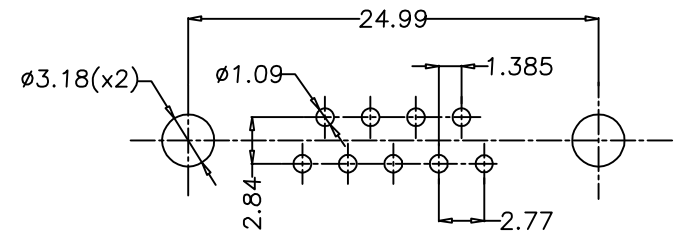
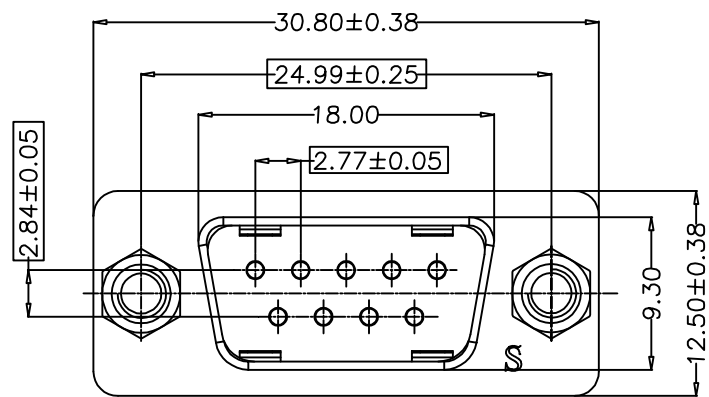
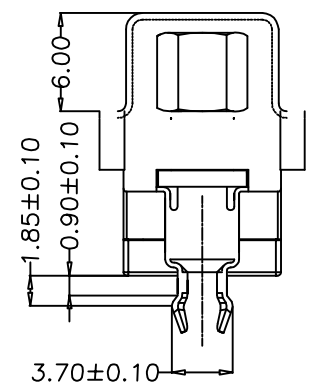
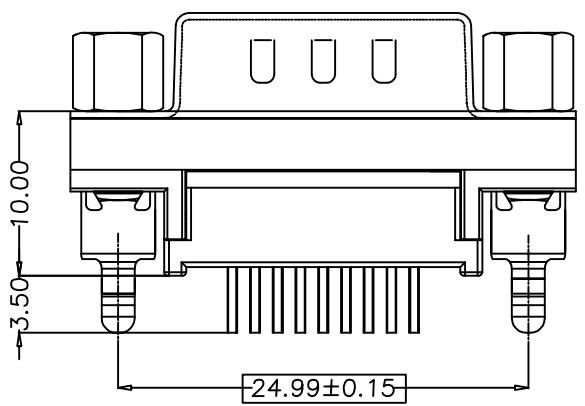


1 2 3 4 5 6 7

A
B
C
D
E



P.C.B LAYOUT
BOTTOM VIEW



NOTES:
 SHELL:BRASS,T=0.40mm,NICKEL PLATED,
 △ HOUSING: PBT/NYLON9T 30%G.F, UL94V-0,COLOR:BLACK
 COVE: NYLON 9T, UL94V-0,COLOR:BLACK
 CONTACT MATERIAL:BRASS
 CONTACT FINISH:GOLD/TIN FINISHED
 JACK SCREWS:BRASS MATERIAL,NICKEL FINISHED
 WITH #4-40 THREADED ATTACHED
 ELECTRICAL CHARACTERISTICS
 CONTACT CURRENT RATING: 5.0 AMPS
 CONTACT RESISTANCE: 30m OHMS MAX
 DIELECTRIC WITHSTANDING VOLTAGE: 500V AC PER MIN
 INSULATION RESISTANCE: 1000M OHMS MIN
 TEMPERATURE RATING: -55°C~+105°C

重點標示尺寸: [X X]

DIMENSIONS TOLERANCE
 METRIC
 .0= ±.38
 .00= ±.25
 .000= ±.XXX
 .0000= ±
 ANG.= ±2'

螺絲材質	魚叉材質	膠芯材質	PART NO:	COLOR
BRASS	BRASS	PBT	20347-T-20107	BLACK
BRASS	BRASS	NYLON 9T	20347-T-20109	BLACK
SPCC	SPCC	PBT	20347-T-201014	BLACK

尚益科技有限公司 JMSCONN TECHNOLOGY CO., LTD.				
PROJ		SCALE : F DO NOT SCALE DWG	MOLD NO	20347-T
APP			MODEL	FILE NO
CHK				REV. X1
DGN			UNIT	SIZE
DRW	HSIEH	2013.09.22	MM	SHT 1 OF 1 A4

1 2 3 4 5 6 7