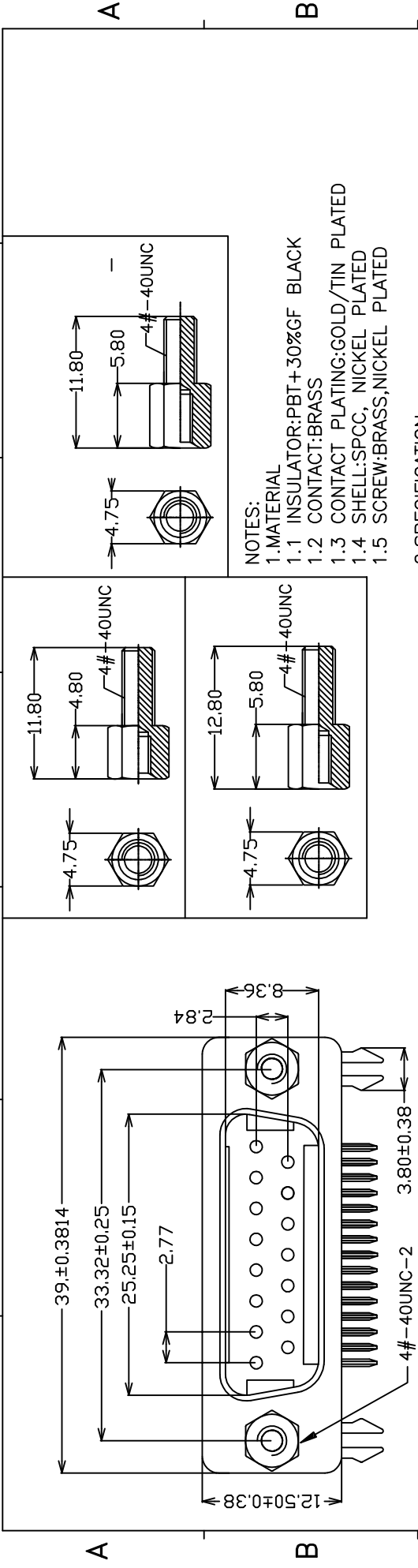
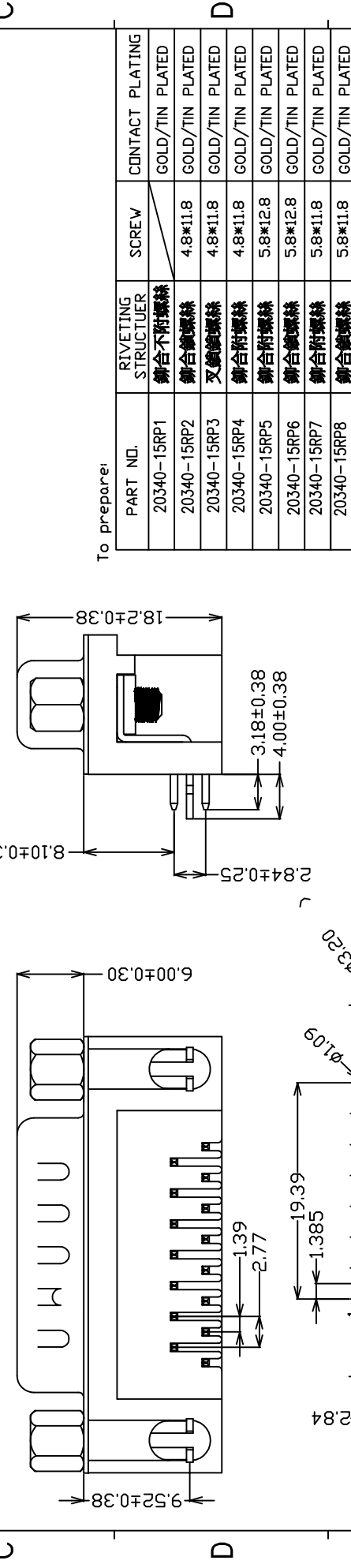


1 2 3 4 5 6 7



NOTES:
 1. MATERIAL
 1.1 INSULATOR: PBT+30%GF BLACK
 1.2 CONTACT: BRASS
 1.3 CONTACT PLATING: GOLD/TIN PLATED
 1.4 SHELL: SPCC, NICKEL PLATED
 1.5 SCREW: BRASS, NICKEL PLATED
 2. SPECIFICATION
 2.1 CURRENT RATE: 5AMPS
 2.2 INSULATOR RESISTANCE: 1000MΩ MIN. AT 500V DC
 2.3 DIELECTRIC STRENGTH: 1000V PER MINUTE
 2.4 OPERATION TEMPERATURE: -55°C TO +105°C



PROJ		SCALE : F		MOLD NO		REV.	
DO NOT SCALE DWG		2018.05.29		20340-15RP		X1	
APP	CHK	DGN	DRW	MODEL	UNIT	FILE NO	SIZE
	HSIEH		HSIEH	2018.05.29	MM	SHT 1 OF 1	A4
				2018.05.25			

尚益科技有限公司

1 2 3 4 5 6 7

DIMENSIONS
 TOLERANCE
 METRIC
 .0 = ±.38
 .00 = ±.25
 .000 = ±.15
 .0000 = ±.2

P.C.B. LAYOUT (TOLERANCE ±0.05)