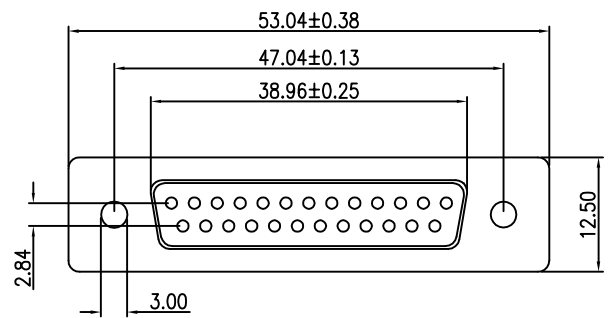


1 2 3 4 5 6 7

A



ORDER INFORMATION

20300-25 S P X X

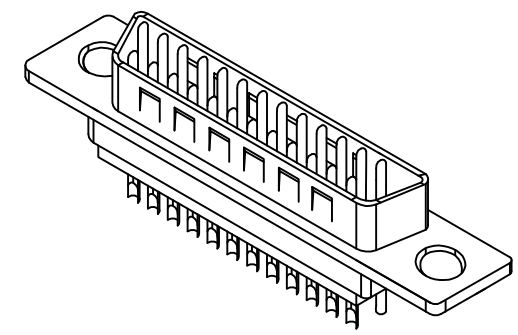
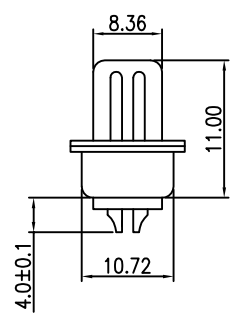
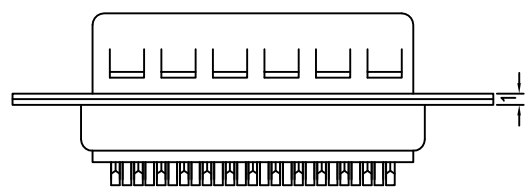
B:BLACK  
W:WHITE  
K:BLUB  
CODE X

CODE1	CODE2	CODE3
CODE4	CODE5	CODE6

A

B

C



B

C

D

SPECIFICATIONS

Insulator :PBT+30% glass fiber , UL 94V-0  
 Contact : Brass or Phosphor bronze  
 Current rating (Max) : 5 amp AC / DC  
 Withstanding voltage : 1000 VAC  
 Insulation resistance (Min.):1000M Ω  
 Contact resistance (Max):30M Ω  
 Operating temperature : -55°C~+105°C

D

E

尚益科技有限公司 JMSCONN TECHNOLOGY CO., LTD.					
PROJ		SCALE : F DO NOT SCALE DWG	MOLD NO 20300-25SP		
APP			MODEL	FILE NO	REV. X1
CHK			UNIT	SHT 1 OF 1	SIZE A4
DGN	HSIEH	2019.02.14	MM		
DRW	HSIEH	2008.01.29			

E

1 2 3 4 5 6 7